



Technical Data

SMT Mechanical Time Switch



- General Purpose Mechanical Time Switch
- Daily Program (ON/AUTO/Continuous OFF)
- 96 Switching Segments
- DIN Rail Mounting (TS 35)
- Quartz Controlled
- Manual Switch with 3 Positions
- 72 Hour Rechargeable Battery Backup (3 Days)

ORDERING INFORMATION

Part Number	Features
SMT-96-1C	Daily Timer with 3 Day Battery Backup

DIMENSIONS (mm)

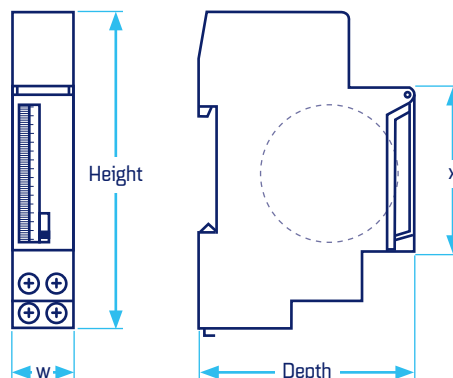
Part Number	Height	Width [w]	Depth	x
SMT-96-1C	92.75	18.0	65.65	45.5

GENERAL INFORMATION

Enclosure Material	Self-Extinguishing Thermoplastic
Protection Class	Class II According to EN 60730-1
Ingress Protection	IP20
Approvals	UKCA, CE, RoHS
Mounting Type	DIN Rail (TS 35)

TECHNICAL SPECIFICATION

Part Number	SMT-96-1C
Supply Voltage	220V AC, 50/60Hz
Switching Capacity (Resistive Load)	16A / 250V - at $\cos \phi = 1$
Switching Capacity (Inductive Load)	4A / 250V - at $\cos \phi = 0.6$
Number of Switching Segments	96 x 15mins.
Time Accuracy at 25°C	Typical $\pm 2s/day$ (quartz)
Power Consumption	1VA
Power Reserve	3 days (72 hrs)
Switching Output	Potential Free & Phase Independent
Shortest Switching Time	15 mins
Ambient Operating Temperature	-10°C to + 50°C



Max. Recommended Load (10,000 Ops)	SMT-96-1C
LED Lamp <2W	30W
LED Lamp 2-8W	100W
LED Lamp >8W	120W
Filament/Halogen Lamp 230V	2600W
Energy Saving Lamp	170W

WIRING DIAGRAM

