



Technical Data

SLI66 Enclosed Lever Isolators



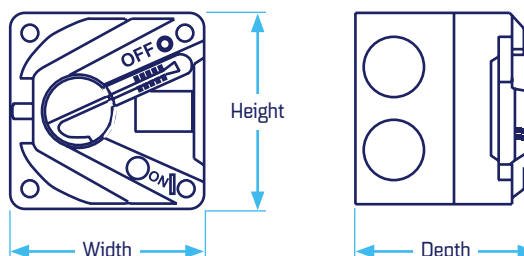
- 1 & 2 Pole Range available from 10A to 20A
- IP66 Protection Rating (enclosure)
- EN 60947-3 Compliant
- Dual 20mm & 25mm Gland Knockouts
- ON/OFF Position clearly indicated
- Lockable Lever Handle
- Flame Retardant
- Single Piece Sealing Gasket
- Mounting & Sealing Screw Covers included

ORDERING INFORMATION

Part Number	Current I _e (AC21)	Rated Operating Voltage	Poles
SLI66-1-10A	10A	250V	1
SLI66-1-20A	20A	250V	1
SLI66-2-20A	20A	250V	2

DIMENSIONS (mm)

Part Number	Height	Width	Depth (inc. Handle)
SLI66-1-10A	85	85	80
SLI66-1-20A	85	85	80
SLI66-2-20A	85	85	80



GENERAL INFORMATION

Enclosure Material	Polycarbonate
Lid Screw Material	Stainless Steel
Ingress Protection	IP66 Enclosure / IP20 Body
Approvals	CE
Compliance	IEC EN 60947-3, RoHS

TECHNICAL SPECIFICATION

Part Number	SLI66-1-10A	SLI66-1-20A	SLI66-2-20A
Poles	1	1	2
Rated Operational Current I _e [AC21] (A)	10	20	20
Rated Voltage (V)	250	250	250
Frequency (Hz)	50/60	50/60	50/60
Rated Insulation Voltage U _i (V)	250	250	250
Max. Cable Size [Solid/Stranded] (mm ²)	10	10	10
Short Time Withstand Current 1 sec. I _{cw} (A)	450	450	450
Short Time Making Capacity I _{cm} (A)	500	500	500
Protection Degree	IP66	IP66	IP66
Tightening Torque (Nm)	0.8	0.8	0.8
Mechanical Life (10 ³)	10	10	10
Weight (kg)	0.22	0.22	0.22

For more information, email sales@stag-electrical.com
www.stag-electrical.com



Technical Data

SLI66L Enclosed Lever Isolators



- 1 & 3 Pole Range available from 20A to 63A
- IP66 Protection Rating (enclosure)
- EN 60947-3 Compliant
- Single-piece Sealing Gasket
- 4x25mm Threaded Entry Points (2x25mm-20mm Adaptors Supplied)
- Lockable Lever Handle
- Flame Retardant
- Base Mounting Screw Covers
- Additional Earth & Neutral Connection
- Integral Encapsulated Mounting Holes

ORDERING INFORMATION

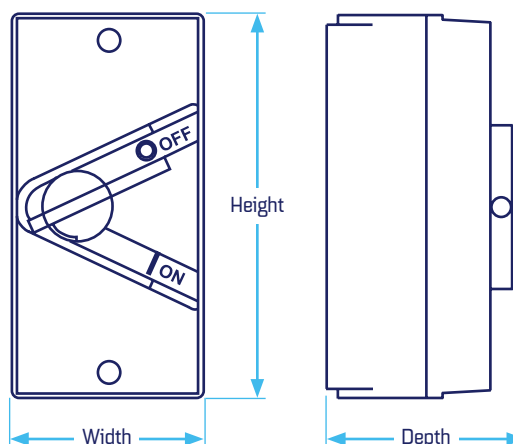
Part Number	Current I _e (AC21)	Rated Operating Voltage	Poles
SLI66L-1-20A	20A	250V	1
SLI66L-1-35A	35A	250V	1
SLI66L-3-20A	20A	415V	3
SLI66L-3-35A	35A	415V	3
SLI66L-3-63A	63A	415V	3

DIMENSIONS (mm)

Part Number	Height	Width	Depth (inc. Handle)
SLI66L-1-20A	166	83	86
SLI66L-1-35A	166	83	86
SLI66L-3-20A	166	83	86
SLI66L-3-35A	166	83	86
SLI66L-3-63A	166	83	86

GENERAL INFORMATION

Enclosure Material	Polycarbonate
Lid Screw Material	Stainless Steel
Ingress Protection	IP66 Enclosure / IP20 Body
Approvals	CE
Compliance	IEC EN 60947-3, RoHS



TECHNICAL SPECIFICATION

Part Number	SLI66L-1-20A	SLI66L-1-35A	SLI66L-3-20A	SLI66L-3-35A	SLI66L-3-63A
Poles	1	1	3	3	3
Rated Operational Current I _e (AC21) (A)	20	35	20	35	63
Rated Voltage (V)	250	250	415	415	415
Frequency (Hz)	50/60	50/60	50/60	50/60	50/60
Rated Insulation Voltage U _i (V)	500	500	500	500	500
Max. Cable Size (Solid/Stranded) (mm ²)	16	16	16	16	16
Short Time Withstand Current 1 sec. I _{cw} (A)	12 I _e	12 I _e	12 I _e	12 I _e	12 I _e
Short Time Making Capacity I _{cm} (A)	1.41 I _{cw}	1.41 I _{cw}	1.41 I _{cw}	1.41 I _{cw}	1.41 I _{cw}
Protection Degree	IP66	IP66	IP66	IP66	IP66
Tightening Torque (Nm)	1.5	1.5	1.5	1.5	1.5
Mechanical Life (10 ³)	10	10	10	10	10
Weight (kg)	0.48	0.48	0.48	0.48	0.48

For more information, email sales@stag-electrical.com
www.stag-electrical.com